

## CONNECTING:

### Rear view of appliance :



- 1) Ampli IN (double pair)
- 2) General power plug and switch (with internal fuse)
- 3) Left channel Output
- 4) Right channel Output

## DETAILS OF FUNCTIONS :

### Front view of Amplifier :



- 5) Power indicator led.

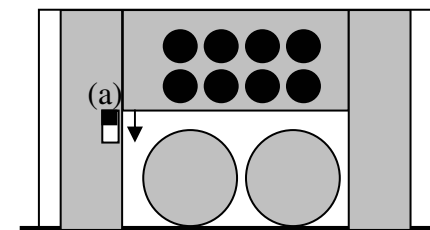
## ADVISES :

- To optimise the performances of your amplifier, you should switch it on at least half an hour before any listening, the time for power stage to reach their ideal working temperature. Between two utilisation, it's better to use the stand-by position, so that the power stages remains at their optimal temperatures.
- We advise you to use good wires to link with the other elements (CD player, Loudspeakers...). Don't hesitate to take advise from your dealer.
- Your Amplifier is equipped with a temporised switch on. A relay protect loudspeakers on output power stage from over-voltage.

## MODE BRIDGE MONO

To transform your Power Amplifier from Stereo to mono, you have to push the switch (a) placed inside the appliance as shown below:

**Careful: be sure that your amplifier is unplugged and that no other appliance is plug in during this operation.**



## E.C. MARKING :

E.C. marking certified the conformity with low tension directive 73/23/CEE, directive CEM 89/336/CEE and national transpositions.

## GUARANTEE :

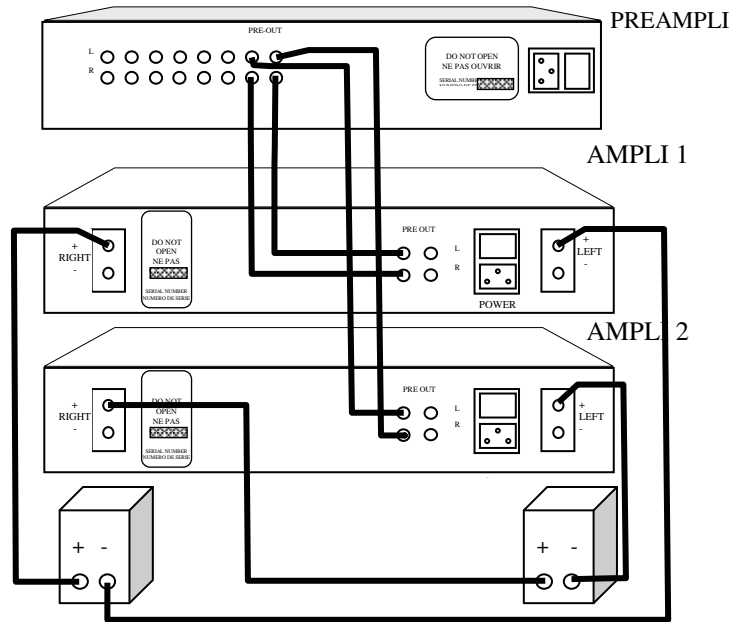
The guarantee is **two years** long from date of purchase. We recommend you to ask your dealer to fill the guarantee and to conserve it. The guarantee is only available for appliance which have been use correctly.

## CLEANING:

Before any cleaning, switch off your amplifier (6). Use a soft and dry rag to clean up the appliance. Never use acetone, white-spirit, ammoniac, or any kind of product containing abrasive agent. Never try to clean up inside the appliance.

## CONNECTING:

(Configuration : 1 Preamplifier & 2 bridged mono amplifier)



*You have just bought an amplifier with exceptional audiophile performance. We really thank you for your confidence in our products. To get the best part of your amplifier, please read carefully this manual.*

### CAUTIONS :

- Put your amplifier in a dry and well ventilated place, far from source of heat;
- Do not put something on your amplifier;
- Do not make any plug in when the amplifier is on;
- Avoid any short-cut;
- Respect polarity + & - and switch left & right;
- Do not plug in two speakers in parallel on the same output.

*You will find enclosed :*

- a power amplifier AM200 ;
- one powerlead;
- this manual with the certificate of guarantee.

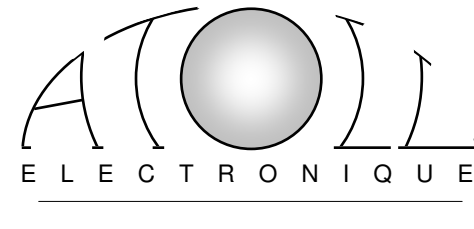
TECHNICAL FACTS	AM200
Power Wrms / ch. / 8 ohms (230v)	120 W
Power Wrms / ch. / 4 ohms (230v)	200 W
Alimentation :	660 VA
Total of capacitors :	62 000 $\mu$ F
Number of Inputs :	2X2
Input Impedance :	220 kohms
Sensitivity :	1,8 V
Rate Signal/Noise :	100 dB
Distortion at 1kHz :	0,005%
Frequency Response :	5Hz-200kHz
Rise Time :	1,5 $\mu$ s
Dimensions :	440*90*280mm
Weight :	12 Kg

ATOLL ELECTRONIQUE® is a French Company who conceive, manufacture and commercialise all its products.

# OWNER'S MANUAL

## *Stereo Power Amplifier*

### AM200



#### **GUARANTEE**

*To present to your dealer with the invoice when returning back the appliance:*

Model AM200

ATOLL ELECTRONIQUE®  
Bd des Merisiers  
50370 BRECEY  
FRANCE

*Dealer Stamp*

*Date of purchase :*

*Place of purchase :*

*Buyer signature :*